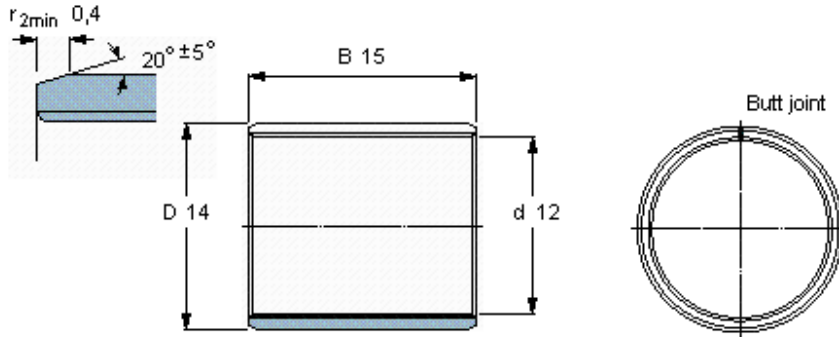


Composite dry sliding bushings, metric dimensions

Principal dimensions			Basic load ratings		Mass	Designation
d	D	B	dynamic C	static C0		
mm	14	15	kN		kg	-
<b>12</b>	14	15	14,3	45	0,0045	PCM 121415 E



**Specific load factor**  
**Material constant**

K 80  
K<sub>M</sub> 480